

# Micro-Mark®

340 Snyder Avenue, Berkeley Heights, NJ 07922 • Tech Support: 908-464-1094  
www.micromark.com MMTechService@micromark.com

## OPERATING INSTRUCTIONS FOR #81466 BELT SANDER

### Read This:

*This belt sander has a thermal cutout switch which protects the motor from burnout. Extended use under heavy load may cause the motor to get hot and the thermal switch to automatically cut power to the motor. To prevent sudden start up, the sander must be switched off during the cooling-off period.*

### Safety Instructions

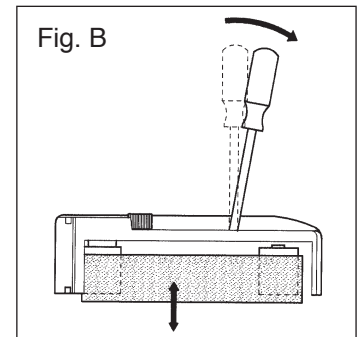
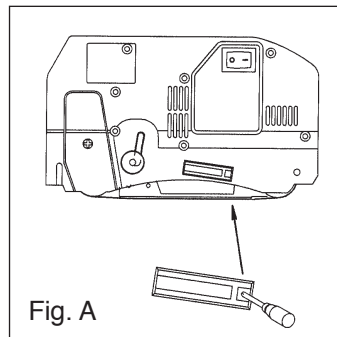
When using electric power tools, basic safety precautions should always be followed to reduce the risk of fire, electric shock and personal injury.

#### For safe operation:

- KEEP THE WORK AREA CLEAN.
- DON'T EXPOSE POWER TOOLS TO RAIN OR USE IN A DAMP OR WET LOCATION.
- GUARD AGAINST ELECTRIC SHOCK BY AVOIDING CONTACT WITH GROUNDED ITEMS, SUCH AS PIPES, RADIATORS, REFRIGERATORS, ETC.
- KEEP CHILDREN AWAY
- STORE TOOLS PROPERLY IN A DRY, HIGH, OUT-OF-THE-REACH-OF-CHILDREN LOCATION.
- DON'T FORCE TOOLS.
- USE THE RIGHT TOOL.
- AVOID WEARING LOOSE CLOTHING WHICH COULD GET CAUGHT IN MOVING PARTS.
- USE SAFETY GLASSES TO PROTECT YOUR EYES FROM FLYING DEBRIS.
- DON'T ABUSE POWER CORD...ALWAYS PULL ON THE PLUG, NEVER ON THE WIRE, TO DISCONNECT IT FROM THE WALL OUTLET.
- SECURE THE WORKPIECE BY CLAMPING IT IN A VISE OR TO THE WORKBENCH.
- MAINTAIN TOOL WITH CARE TO KEEP IT IN PROPER OPERATING CONDITION.

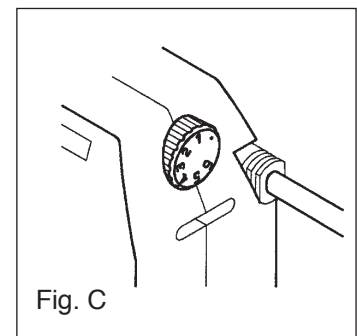
### Changing or Installing the Belt

Insert the tip of a small screwdriver into the notch shown in Figure A. Move the screwdriver handle in the direction shown in Figure B to release tension on the belt and facilitate its removal. Installation of a new belt is the reverse of removal. Be sure any arrow printed on the belt points in the direction of belt travel.



### Switching the Sander On/Off and Adjusting Speed

The ON/OFF switch is located on the side of the sander. Pressing the **I** side of the switch will turn the sander ON; pressing the **0** side of the switch will turn the sander OFF. To change the belt speed, adjust the knob located on the back of the sander (see Figure C). Belt speed can be adjusted between 600 feet per minute and 900 feet per minute. Experiment a little to find the speed best suited for the job at hand; use slow speeds and a light pressure on plastics to avoid melting; use high speeds for wood and fast material removal.

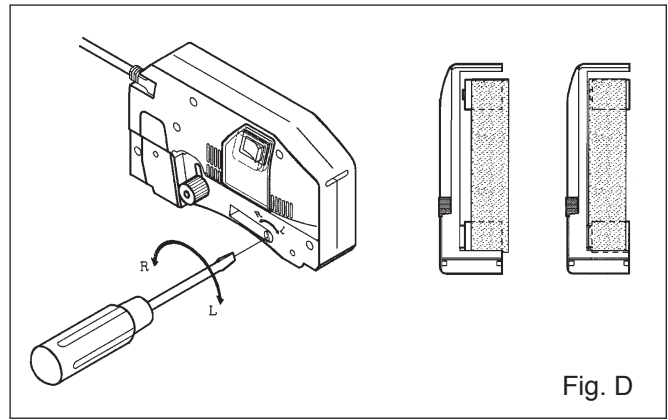


### Adjusting Belt Tracking

While the sander is operating, use a small screwdriver to turn the R-L adjuster shown in Figure D until the belt tracks down the center of the drive rollers and platen without striking the case.

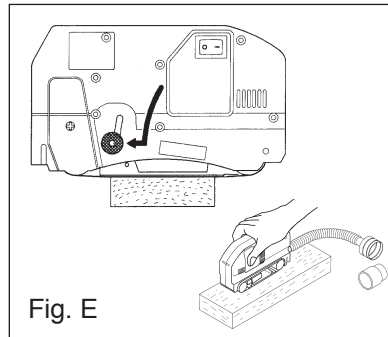
### Installing the Vacuum Pick-Up

Simply push the small end of the vacuum hose onto the fitting at the lower rear of the sander. Connect the large end to your standard 1-1/4" shop vacuum hose with the rubber adapter supplied with the sander.



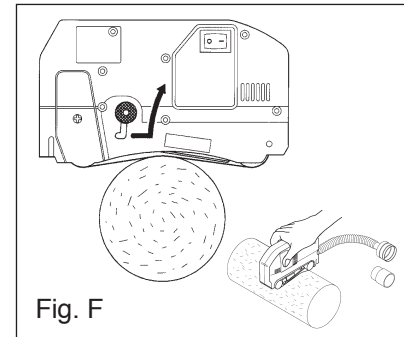
### Sanding Flat Surfaces

Move the platen control knob to the position shown in Figure E to sand flat surfaces.



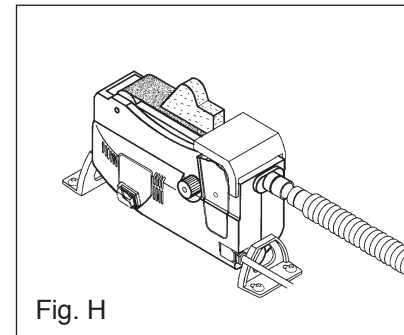
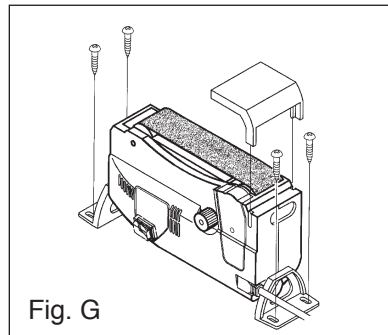
### Sanding Curved Surfaces

Move the platen control knob to the position shown in Figure F to sand curved surfaces.



### Sanding Small Parts

Small parts may be sanded by mounting the sander upside down on the workbench. Mounting brackets and screws are included for this mounting; follow the arrangement shown in Figures G and H. Small parts are sanded by holding them against the fence.



### Lubrication and Maintenance

No additional lubrication is required during routine use. If the sander is disassembled for any reason, a small amount of an appropriate lubricant should be applied to bearing surfaces.

Avoid a large build-up of caked-on sawdust; it will block the cooling passages built-in to the sander and reduce its life. A thorough "blow-out" after each use will keep the sander from getting clogged.

### Replacement Parts

This sander is designed to give you years of trouble-free service. However, should a replacement part be required, locate it on the Parts Schematic and identify it by its numeric designation. Our service technicians are available to help provide you with the technical assistance and parts you need to keep your sander in fine running condition.

If you require assistance, call Micro-Mark Technical Support from 1 pm to 5 pm E.T. at 908-464-1094.

This product is guaranteed to be free of manufacturing defects for a period of 90 days from date of shipment. It will be repaired or replaced (at our option) free of charge if returned post-paid within that time period. Please return to **Micro-Mark Product Service Department** and include a note explaining the problem. Consequential damages resulting from the use of this product are not covered by any guarantee and are the sole responsibility of the purchaser. Any problem resulting from abuse or misuse of the product will not be covered under this guarantee.

