

INSTRUCTIONS FOR THE #83647 FIRE EFFECT BOARD

The Fire Effects Board provides 3 LEDs with a random flickering flame effect.

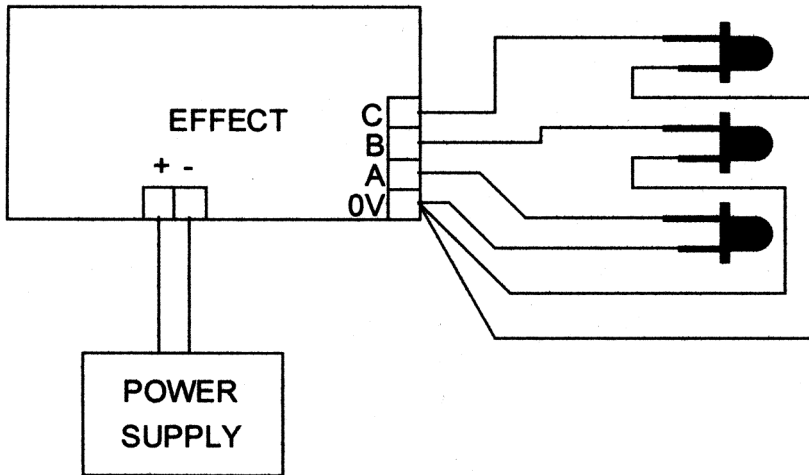
Power

The board is powered from a supply with an output of 9 to 16 volts AC or DC. This connects to the two screw terminals as shown in the diagram. For DC, the positive and negative need to be connected to the "+" and "-" terminals respectively.

LEDs

The board is supplied with 3 LEDs fitted correctly in the screw terminals . . . all short legs of the LEDs go to the 0V terminal. The long legs fit to terminals "A", "B" and "C". Wires may be used between the terminal and the LEDs to allow the LEDs to be mounted away from the circuit board. (Note: The LED's have a clear body, but will flicker with a red/orange color.)

If desired, the unit can be used to power different LEDs as long as they do not have built-in resistors.



HEATHCOTE ELECTRONICS, 1 HAYDOCK CLOSE, CHEADLE, STAFFS, ST10 1UE TEL/FAX 01538 756800
email heathcote.electronics@btinternet.com
web site www.heathcote-electronics.co.uk

Distributed by Micro-Mark, 340 Snyder Avenue, Berkeley Heights, NJ 07922

www.micromark.com
MM121206