

ASSEMBLY INSTRUCTIONS

FOR #84698 / 84699 / 84700 COLLET SETS

Inserting Collet (see Fig. 1)

Always insert the collet into the lock nut before mounting onto the tool holder.

Insert groove of the collet into the eccentric extractor ring of the lock nut.

Push collet in the direction of the arrow.

Insert tool. Screw lock nut with collet onto the tool holder.

Improper collet insertion can permanently destroy the concentricity of the collet and may result in a damaged lock nut.

Removing Collet (see Fig. 2)

Press on the face of the collet while simultaneously pushing sideways on the back of the collet until it disengages from the lock nut.

FIGURE 1

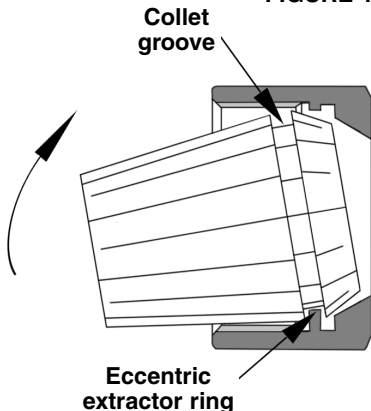
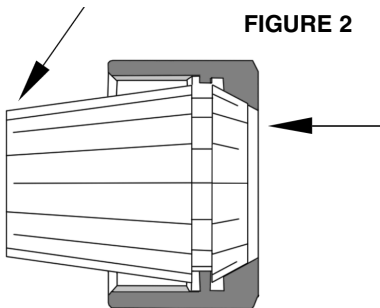


FIGURE 2



Micro-Mark[®] 340 Snyder Avenue
Berkeley Heights, NJ 07922

Tech Support: 908-464-1094 • MMTechService@micromark.com

MM080210