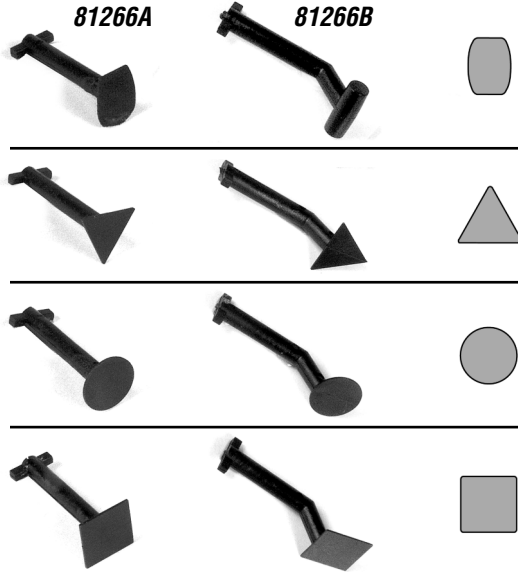


#81266 MICRO SANDER

To release the tip, first turn the nose piece of the sander 90° to its unlocked position, then pull the tip out. After inserting the new tip, return the nose piece back to its locked position.

FOR THIS TIP...

USE THIS PAD



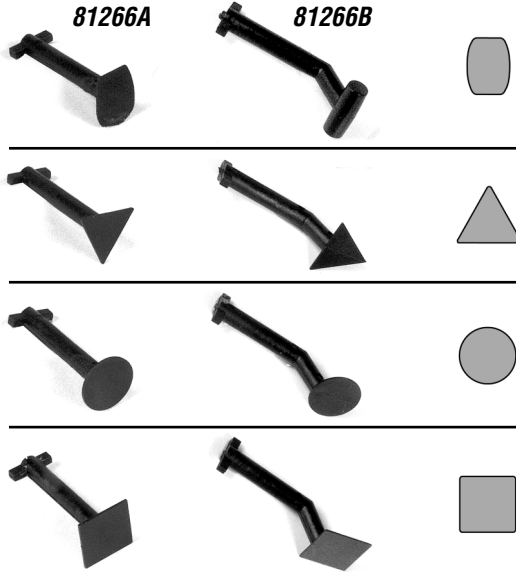
MM010405

#81266 MICRO SANDER

To release the tip, first turn the nose piece of the sander 90° to its unlocked position, then pull the tip out. After inserting the new tip, return the nose piece back to its locked position.

FOR THIS TIP...

USE THIS PAD



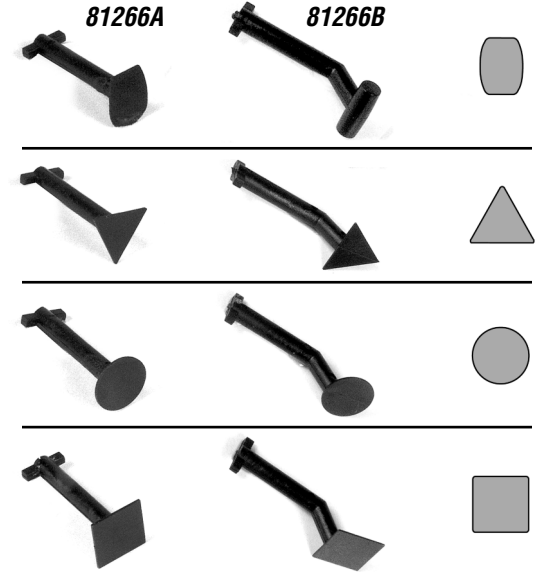
MM010405

#81266 MICRO SANDER

To release the tip, first turn the nose piece of the sander 90° to its unlocked position, then pull the tip out. After inserting the new tip, return the nose piece back to its locked position.

FOR THIS TIP...

USE THIS PAD



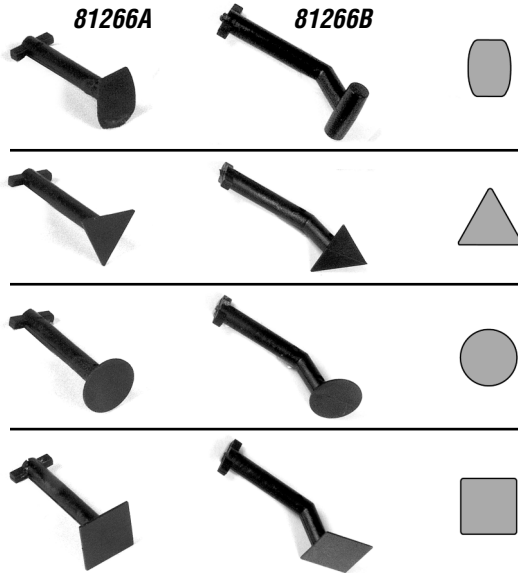
MM010405

#81266 MICRO SANDER

To release the tip, first turn the nose piece of the sander 90° to its unlocked position, then pull the tip out. After inserting the new tip, return the nose piece back to its locked position.

FOR THIS TIP...

USE THIS PAD



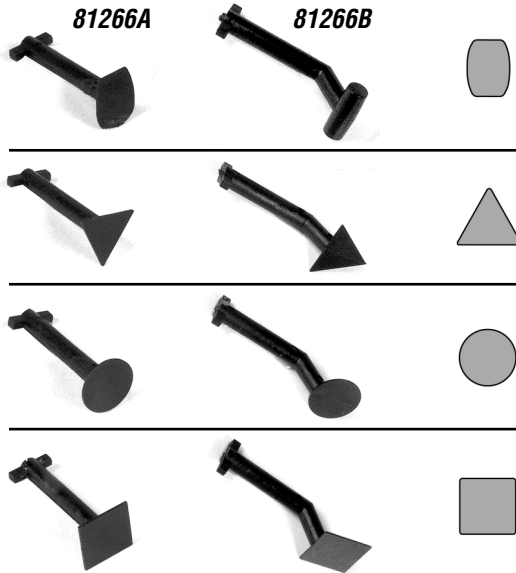
MM010405

#81266 MICRO SANDER

To release the tip, first turn the nose piece of the sander 90° to its unlocked position, then pull the tip out. After inserting the new tip, return the nose piece back to its locked position.

FOR THIS TIP...

USE THIS PAD



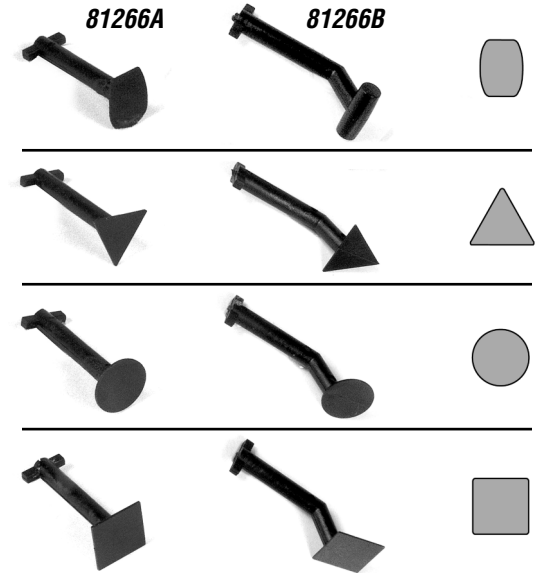
MM010405

#81266 MICRO SANDER

To release the tip, first turn the nose piece of the sander 90° to its unlocked position, then pull the tip out. After inserting the new tip, return the nose piece back to its locked position.

FOR THIS TIP...

USE THIS PAD



MM010405