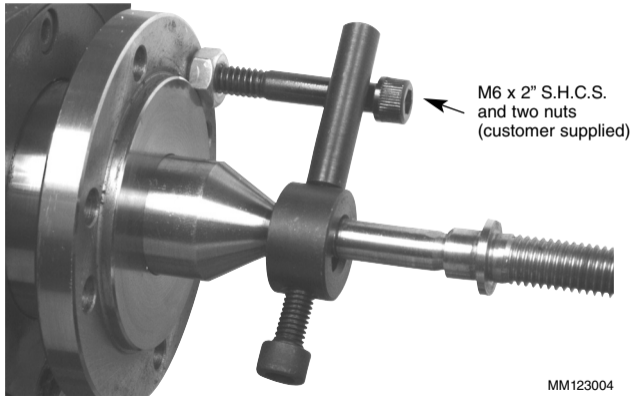


SUGGESTED SET UP FOR #82510 LATHE DOG



MM123004