

**ASSEMBLY INSTRUCTIONS FOR
#84698 / 84699 / 84700 / 85337 COLLET SETS**

Inserting Collet (see Fig. 1)

Always insert the collet into the lock nut before mounting onto the tool holder.

Insert groove of the collet into the eccentric extractor ring of the lock nut.

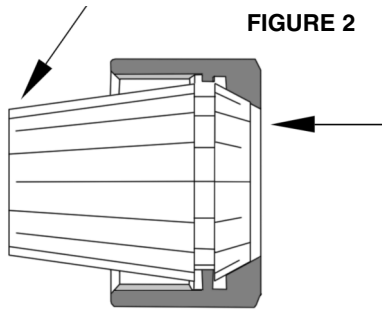
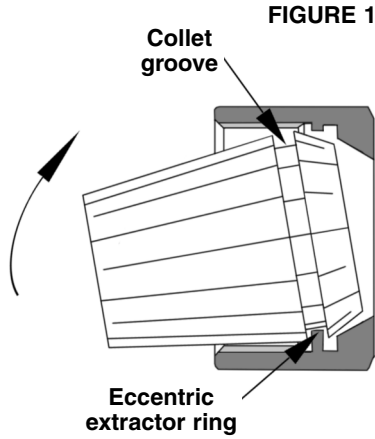
Push collet in the direction of the arrow.

Insert tool. Screw lock nut with collet onto the tool holder.

Improper collet insertion can permanently destroy the concentricity of the collet and may result in a damaged lock nut.

Removing Collet (see Fig. 2)

Press on the face of the collet while simultaneously pushing sideways on the back of the collet until it disengages from the lock nut.



**ASSEMBLY INSTRUCTIONS FOR
#84698 / 84699 / 84700 / 85337 COLLET SETS**

Inserting Collet (see Fig. 1)

Always insert the collet into the lock nut before mounting onto the tool holder.

Insert groove of the collet into the eccentric extractor ring of the lock nut.

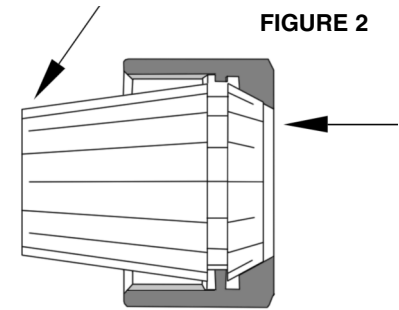
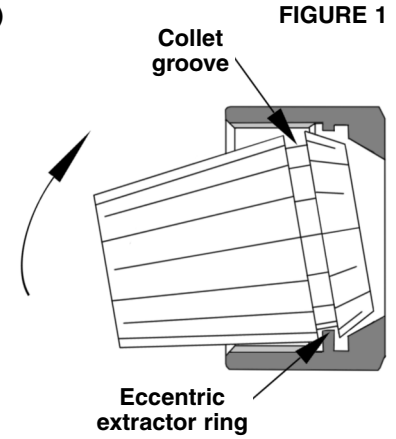
Push collet in the direction of the arrow.

Insert tool. Screw lock nut with collet onto the tool holder.

Improper collet insertion can permanently destroy the concentricity of the collet and may result in a damaged lock nut.

Removing Collet (see Fig. 2)

Press on the face of the collet while simultaneously pushing sideways on the back of the collet until it disengages from the lock nut.



Micro-Mark® 340 Snyder Avenue
Berkeley Heights, NJ 07922
Tech Support: 908-464-1094 • MMTechService@micromark.com

MM072712

Micro-Mark® 340 Snyder Avenue
Berkeley Heights, NJ 07922
Tech Support: 908-464-1094 • MMTechService@micromark.com

MM072712

**ASSEMBLY INSTRUCTIONS FOR
#84698 / 84699 / 84700 / 85337 COLLET SETS**

Inserting Collet (see Fig. 1)

Always insert the collet into the lock nut before mounting onto the tool holder.

Insert groove of the collet into the eccentric extractor ring of the lock nut.

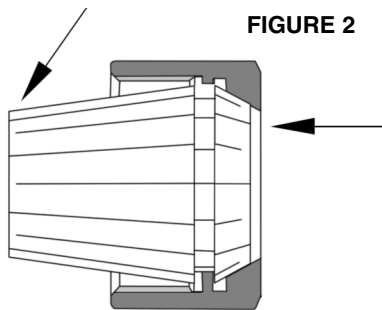
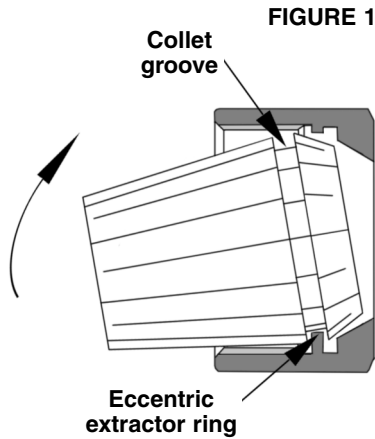
Push collet in the direction of the arrow.

Insert tool. Screw lock nut with collet onto the tool holder.

Improper collet insertion can permanently destroy the concentricity of the collet and may result in a damaged lock nut.

Removing Collet (see Fig. 2)

Press on the face of the collet while simultaneously pushing sideways on the back of the collet until it disengages from the lock nut.



**ASSEMBLY INSTRUCTIONS FOR
#84698 / 84699 / 84700 / 85337 COLLET SETS**

Inserting Collet (see Fig. 1)

Always insert the collet into the lock nut before mounting onto the tool holder.

Insert groove of the collet into the eccentric extractor ring of the lock nut.

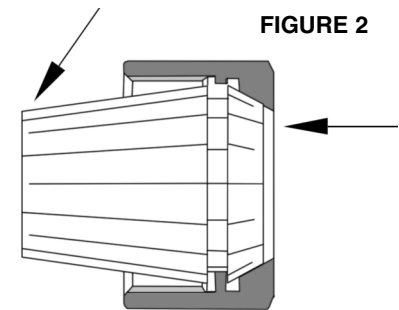
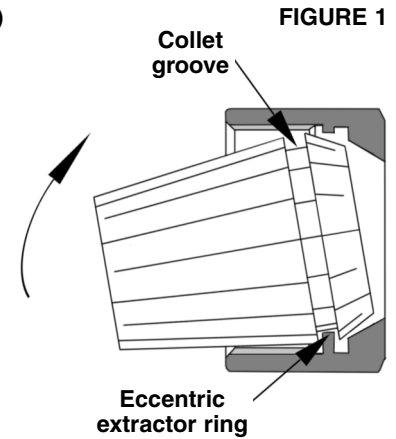
Push collet in the direction of the arrow.

Insert tool. Screw lock nut with collet onto the tool holder.

Improper collet insertion can permanently destroy the concentricity of the collet and may result in a damaged lock nut.

Removing Collet (see Fig. 2)

Press on the face of the collet while simultaneously pushing sideways on the back of the collet until it disengages from the lock nut.



Micro-Mark® 340 Snyder Avenue
Berkeley Heights, NJ 07922
Tech Support: 908-464-1094 • MMTechService@micromark.com

MM072712

Micro-Mark® 340 Snyder Avenue
Berkeley Heights, NJ 07922
Tech Support: 908-464-1094 • MMTechService@micromark.com

MM072712