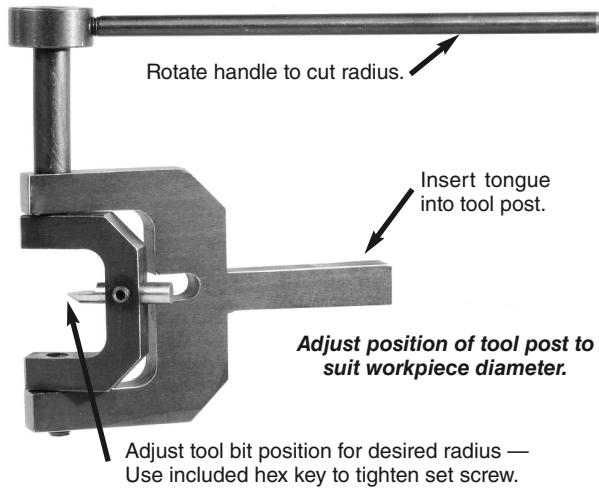


#84833 RADIUS TURNING TOOL



Note: Take small cuts until desired radius has been achieved.

Micro-Mark®

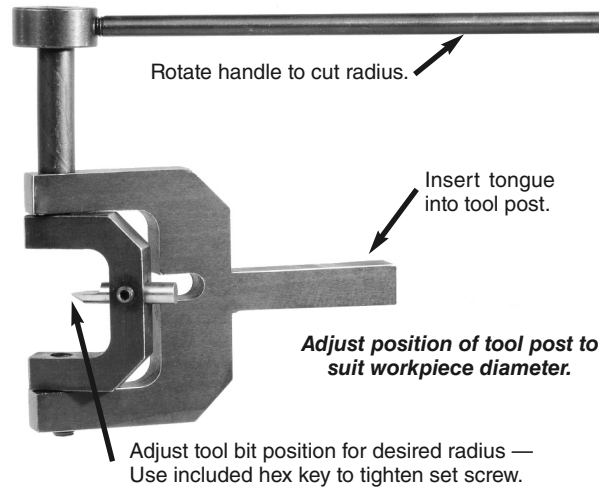
THE SMALL TOOL SPECIALISTS

340 Snyder Avenue, Berkeley Heights, NJ 07922

Tech Support 908-464-1094

www.micromark.com MMTechService@micromark.com MM080811

#84833 RADIUS TURNING TOOL



Note: Take small cuts until desired radius has been achieved.

Micro-Mark®

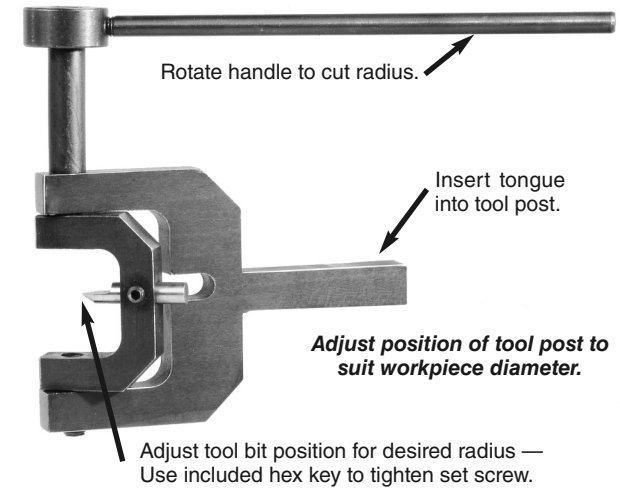
THE SMALL TOOL SPECIALISTS

340 Snyder Avenue, Berkeley Heights, NJ 07922

Tech Support 908-464-1094

www.micromark.com MMTechService@micromark.com MM080811

#84833 RADIUS TURNING TOOL



Note: Take small cuts until desired radius has been achieved.

Micro-Mark®

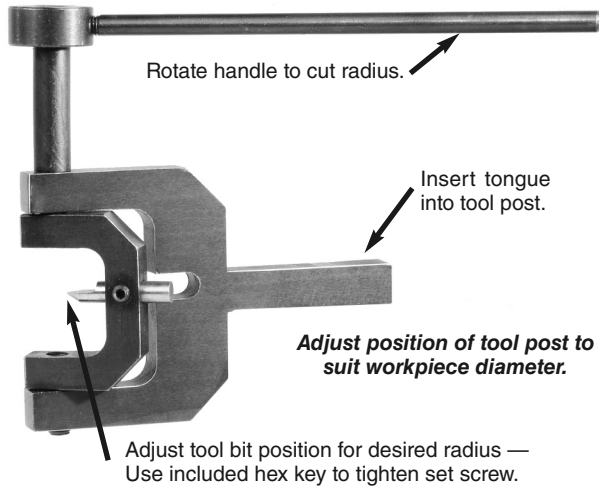
THE SMALL TOOL SPECIALISTS

340 Snyder Avenue, Berkeley Heights, NJ 07922

Tech Support 908-464-1094

www.micromark.com MMTechService@micromark.com MM080811

#84833 RADIUS TURNING TOOL



Note: Take small cuts until desired radius has been achieved.

Micro-Mark®

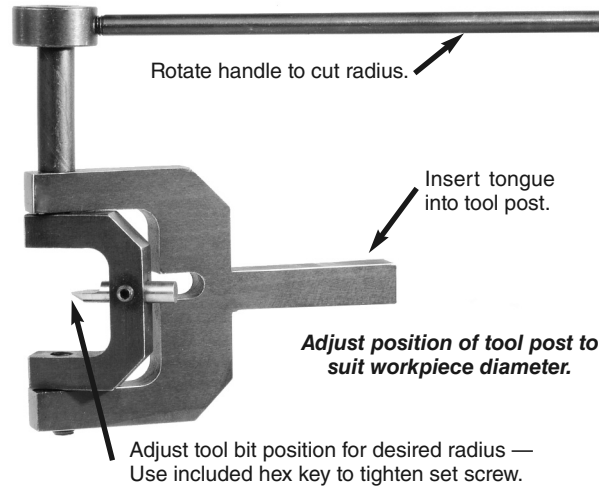
THE SMALL TOOL SPECIALISTS

340 Snyder Avenue, Berkeley Heights, NJ 07922

Tech Support 908-464-1094

www.micromark.com MMTechService@micromark.com MM080811

#84833 RADIUS TURNING TOOL



Note: Take small cuts until desired radius has been achieved.

Micro-Mark®

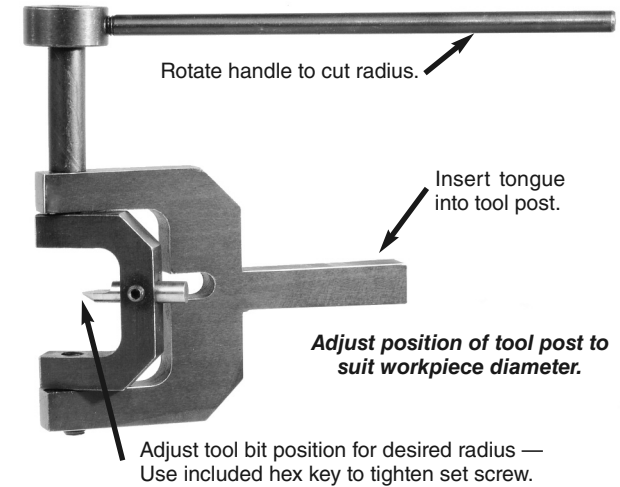
THE SMALL TOOL SPECIALISTS

340 Snyder Avenue, Berkeley Heights, NJ 07922

Tech Support 908-464-1094

www.micromark.com MMTechService@micromark.com MM080811

#84833 RADIUS TURNING TOOL



Note: Take small cuts until desired radius has been achieved.

Micro-Mark®

THE SMALL TOOL SPECIALISTS

340 Snyder Avenue, Berkeley Heights, NJ 07922

Tech Support 908-464-1094

www.micromark.com MMTechService@micromark.com MM080811