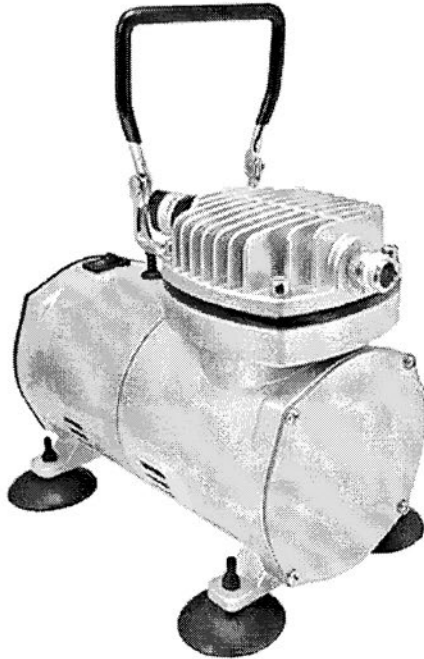


INSTRUCTION MANUAL

MANUAL

MINI AIR COMPRESSOR AS18

Thanks for purchasing our air tools and please read this Instruction Manual carefully and thoroughly before operating the tool to get best performance.



CE ROHS

1.Features:

- Piston type; oil free.
- It can start with pressure,continuous working,powerful.
- Thermally protected.
- Low noise,47db.
- Auto stop function.

2.Data Sheet:

Type:Single Cylinder Piston Compressor

Power:1/6HP

Speed:1450/1700r.p.m

Voltage: 110-120V,220V/60HZ

Auto start at 3 BAR (43 PSI) ,auto stop at 4 BAR (57 PSI) .

Air output per min./litres:20~23 L/min

Suitable for airbrush with nozzle from 0.2~1.0 mm.

Net Weight: 3.6KG

Dimension: 255X135X170mm

Electric Cable: 1.9 M

3. Operation directory:

1. Connect one end of the air hose pipe to the air compressor , and the other end to the air brush or other air tools. Make sure the connection is air tight.
2. Choose the right power supply tie-in according to the local power supply switch. Make sure they contact well.
3. Turn on the switch and the air compressor will work continuously.
4. Please turn off the power after it finishes work.

4. Safety Instructions:

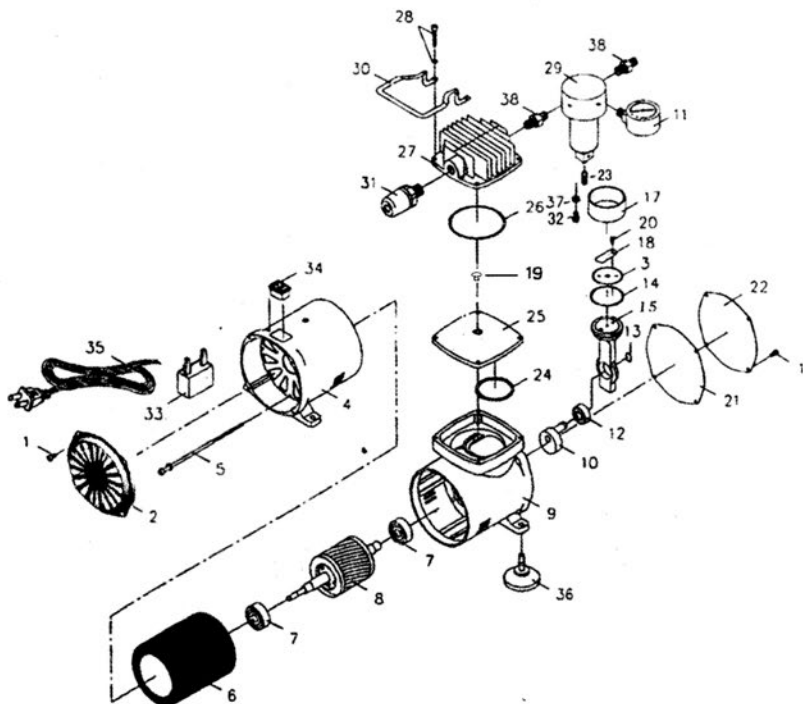
WARNING:

Unqualified use and improve maintenance of these mini air compressor could result in serious personal injury. The following safety instructions should be operated to avoid any risk! Please read all of these instructions carefully and follow them!!

1. Choose the right air compressor and power supply tie-in with right frequency and voltage according to the local power supply. Otherwise, the motor may be damaged and/or the fire may be caused.
2. Please check and make sure that the machine, including the connection, switch are all in good conditions.
3. The compressor must be operated in accordance with the current safety regulations, and all the power sockets must be earthed. Please do not touch the electric cable with the wet hands.
4. Keep working area clean and tidy. Unused tools should be stored in their respective places. Ensure that the working area is well ventilated.

5. Never operate the compressor in the presence of flammable liquids or gases – the compressor may produce sparks when in operation. Do not use the compressor in areas where painting colours, petrol, chemicals, adhesives, and other flammable and explosive substances are present.
6. The compressor will cut off on overload and/or excess temperature rise. Turn off the switch and start it again when the compressor reaches right temperature.
7. Keep out of the reach of children. Never allow children and other irrelevant persons touch the compressor and its power cord. All unauthorized persons should be kept clear of the working area.
8. Please choose the suitable pressure switch according to the different usage. When the setup pressure is lower than the standard pressure, the machine will shut down automatically, and it will reduce the life of the machine.

5.SPARE PARTLIST:



PARTS LIST

INDEX NO.	PARTS NO.	DESCRIPTION	Q'TY	INDEX NO.	PARTS NO.	DESCRIPTION	Q'TY
1	AS18-#01	SCREW	8	21	AS18-#21	FRONT GASKET	1
2	AS18-#02	REAR COVER	1	22	AS18-#22	FRONT COVER	1
3	AS18-#03	BLOCK	1	23	AS18-#23	WATER DRAIN VALVE	1
4	AS18-#04	REAR BODY	1	24	AS18-#24	O-RING	1
5	AS18-#05	SCREW	4	25	AS18-#25	CYLINDER BLOCK	1
6	AS18-#06	STATIONARY MOTOR	1	26	AS18-#26	O-RING	1
7	AS18-#07	BEARING	2	27	AS18-#27	CYLINDER HEAD	1
8	AS18-#08	ROTARY MOTOR	1	28	AS18-#28	CAP SCREW	4
9	AS18-#09	FRONT BODY	1	29	AS18-#29	FILTER VALVE	1
10	AS18-#10	COUNTERWEIGHT	1	30	AS18-#30	HANDLE	1
11	AS18-#11	MANOMETER	1	31	AS18-#31	PRESSURE SWITCH	1
12	AS18-#12	BEARING	1	32	AS18-#32	PRESSURE REGULATOR	1
13	AS18-#13	RETAINER RING	1	33	AS18-#33	CONDENSER	1
14	AS18-#14	GOMPRESSION RING	1	34	AS18-#34	POWER SWITCH	1
15	AS18-#15	FILTER	1	35	AS18-#35	WIRE	1
17	AS18-#17	CYLINDER	1	36	AS18-#36	RUBBER PAD	4
18	AS18-#18	VALVE PLATE	2	37	AS18-#37	LOCKNUT	1
19	AS18-#19	VALVE	1	38	AS18-#38	AIR OUTLET	2
20	AS18-#20	SCREW	1	39			

6. Trouble shootings:

Troubles	Causes	Solutions
The motor does not work.	<ol style="list-style-type: none">1. Electric cable is broken.2. Cable connections inside are defective.3. On-off switch is defective.	<ol style="list-style-type: none">1. Check the electric cable and replace it if necessary.2. Open the rear plate and check the cable connections inside and repair them if necessary.3. Check the operation of the on-off switch and replace it if necessary.
The motor makes sound but does not run.	<ol style="list-style-type: none">1. Exhaust outlet is totally blocked or capped.2. Cylinder valve is incorrect fitted (wrong direction (or rotation Choose one according to the real situation) after the user's fitting.	<ol style="list-style-type: none">1. Open the outlet cap or make the exhaust outlet smooth.2. Re-assemble and make sure the direction (rotation) of cylinder valve is correct.
The motor runs, but it makes irregular noise or knocking noise.	<ol style="list-style-type: none">1. Bearing is loose or damaged.2. Screws in the connection rod are loose.	<ol style="list-style-type: none">1. Replace the bearing if necessary.2. Tighten screws or replace them if necessary.

Troubles	Causes	Solutions
Weak result of spraying & painting. Pressure too low.	<ol style="list-style-type: none"> 1. Air connection is leaking. 2. Air hose pipe is broken. 3. Screw on cylinder cover is loose. 	<ol style="list-style-type: none"> 1. Seal air hose pipe with sealing tape. 2. Replace air hose pipe if necessary. 3. Tighten screws.
Poor pulverization effect.	<ol style="list-style-type: none"> 1. The air connection has been leaking. 2. The oil paint concentration is too high. 3. The air brush muzzle is distorted or dirty. 	<ol style="list-style-type: none"> 1. Check all the connection and ensure they are air tight. 2. Add paint thinner and mix thoroughly. 3. Wash the air brush muzzle or change it if necessary.
Good running of motor but no air pressure or lack of air delivery.	<ol style="list-style-type: none"> 1. Valve plate is unscrewed or out of place. 2. Retainer ring is destroyed after a long time of use at high pressure. 	<ol style="list-style-type: none"> 1. Open the front cover and tighten the screws and ensure the valve plate is in the correct position. 2. Replace the retainier ring if necessary.
<p>Warning: All the servicing should be done with the power switched off and disconnected. The servicing of the motor should be maintained by qualified person.</p>		