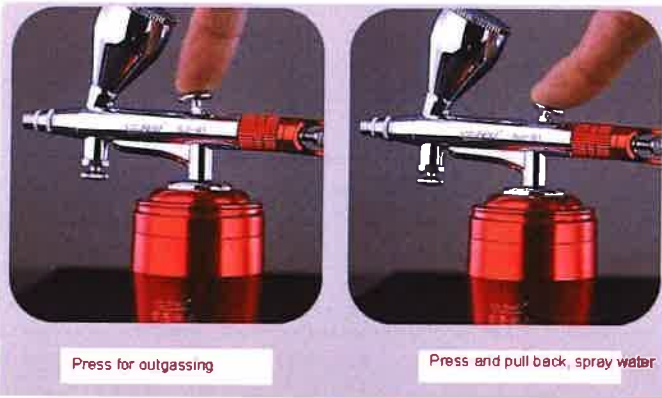


#89747 Cordless Airbrush Kit for Fine Detail



Specifications:

USB Fast Charging: 1.0-1.5 Hour for 40 minutes working

Max. Pressure: 25PSI

Max. Air Flow Ratio: 7L/MIN

Input Voltage: 6-7.4V

Electric Current: 0.5-0.6A

Battery: Lithium 0.3g

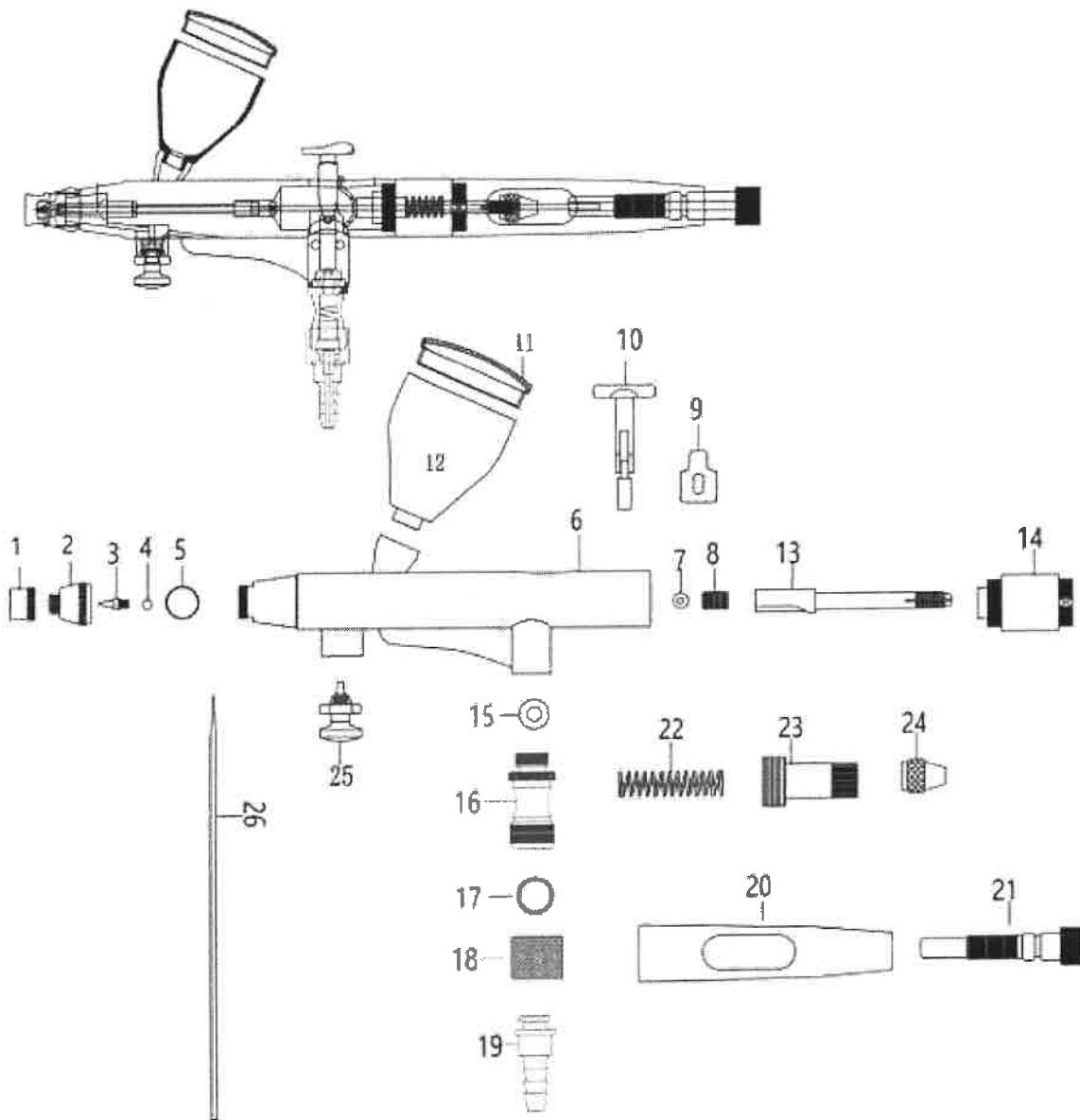
Airbrush Nozzle: 0.3mm

Material Pot: Replaceable, 7CC, 20CC, 40CC

Application: Model Painting, Art Drawing, Spray Painting for Beauty and Manicure, Inkjet Tattoo, Arts & Crafts, Cake, Ceramics and Resin Products Decoration.

Power down the unit and clean after each use.





- | | |
|-------------------------------|---|
| 1. sheath | 14. bearing |
| 2. Nozzle | 15. Airintake valve seat O-ring (silicone O-ring) |
| 3. injector | 16. Intake valve |
| 4. Nozzle O-ring | 17. Connector O-ring 8*1.5 |
| 5. Nozzle O-ring 6.3*0.5 | 18. Union nut |
| 6. Stalk body | 19. joint |
| 7. M5 screw O-ring | 20. The tail handle |
| 8. M5 screw | 21. Tail handle adjusting screw |
| 9. Dial block | 22. spring |
| 10. Starting lever | 23. Spring pressure cap |
| 11. Cup cover | 24. Lock screw |
| 12. glass | 25. The choke |
| 13. Shift block extension rod | 26. Injection needle |